



Instructions For:

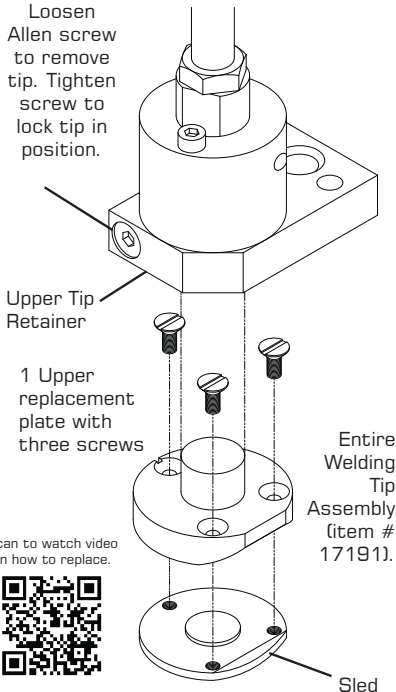
Upper Replacement Plate Pkg. Item # 17189

contains: 5 replaceable plates and 15 brass screws.

For Use On FG, RH & MH

Upper Weld Tip Assembly Item # 17191

Loosen
Allen screw
to remove
tip. Tighten
screw to
lock tip in
position.



Scan to watch video
on how to replace.



1. Stop all electrical & air power to the machine
2. Use an Allen key to loosen the Allen screw on the side of the upper tip retainer.
3. Use a screwdriver to remove the three screws on the top of the tip and the plate will come off of the tip.
4. Attach the new plate to the tip with three new screws provided.
5. Make sure that the screws are snug.
6. Reinstall the tip with the new plate.
7. The sled of the new plate should align with the feed channel of the machine.
8. Reinsert and tighten the Allen screw on the side of the upper tip retainer that you removed in step #2.