

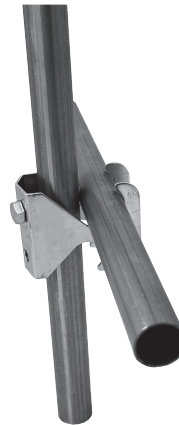
SUBMITTAL RECORD \_\_\_\_\_  
 JOB \_\_\_\_\_  
 LOCATION \_\_\_\_\_  
 SUBMITTED TO \_\_\_\_\_  
 SUBMITTAL PREPARED BY \_\_\_\_\_  
 APPROVED BY \_\_\_\_\_  
 DATE \_\_\_\_\_



# Submittal Form Dual Dyn-O-Claw™

## DESCRIPTION:

When conduit crosses inside the ductwork, it can vibrate with the passing of airflow and create a rattling sound. The Dual Dyn-O-Claw is designed to join conduit and eliminate their vibration in the duct. Dual Dyn-O-Claws are easier and faster than other alternatives such as ties or welding, and work on both 1/2" and 3/4" conduit.

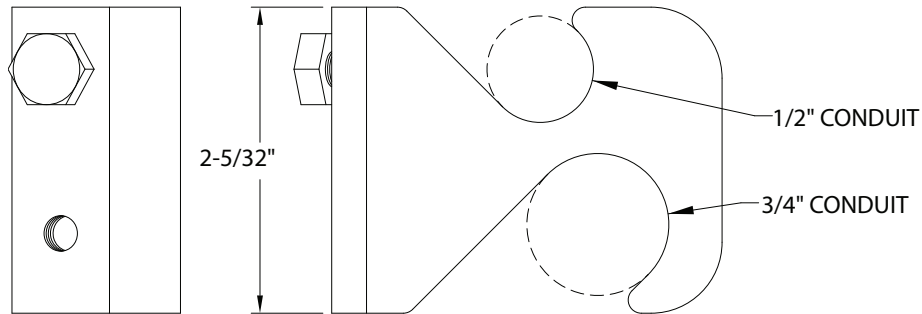
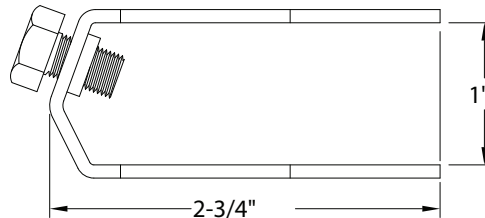


**3/4" Conduit  
Application**



**1/2" Conduit  
Application**

Bolt secures the claw to the conduit to immobilize it.



Item #	Code	Description	Packaging
21298	DOMOC1234	Dual Dyn-O-Claw 1/2" & 3/4"	250/box

