

SUBMITTAL RECORD _____
 JOB _____
 LOCATION _____
 SUBMITTED TO _____
 SUBMITTAL PREPARED BY _____
 APPROVED BY _____
 DATE _____



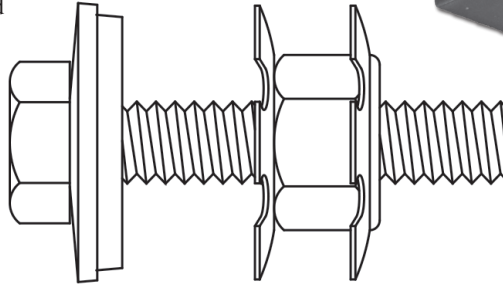
Submittal Form Dyn-O-Loc® & D-Stud™

DYN-O-LOC®

DESCRIPTION:

Tie rods can be used to support duct sizes over 48", or smaller duct in high pressure applications. Dyn-O-Locs insert into the ends of the hollow tie rods to provide a means of attaching the rods to the duct.

- Available for use with 1/2" or 3/4" Conduit.
- Properly installed Dyn-O-Loc is pull tested to withstand over 1900 lbs.
- Large self-sealing washer preinstalled on the Bolt.
- Long bolt for easier installation.
- Bolt length: 1-1/2" total or 1-3/8" under the head



Item #	Code	Description
21097	DOMRL12	1/2" Dyn-O-Loc - 250/box
21098	DOMRL34	3/4" Dyn-O-Loc - 250/box
21208	DOMRL12-100	1/2" Dyn-O-Loc - 100/box
21209	DOMRL34-100	3/4" Dyn-O-Loc - 100/box
13120	MRLT	Magnetic Dyn-O-Loc Tool
ALSO AVAILABLE SEPARATELY:		
21008	SN12-250	1/2in Dyn-O-Loc Spring Nut Only
21009	SN34-250	3/4in Dyn-O-Loc Spring Nut Only
21286	SWW1420-250	1/4-20 Dyn-O-Loc Bolt with Washer

See all of our insertion tool options!

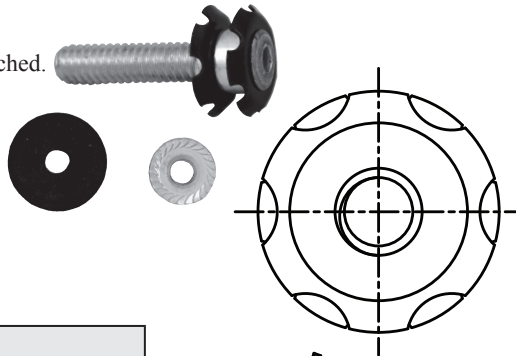
Please reference SMACNA Duct Construction Standards Section 2.5 Third Edition 2005.

D-STUD™

DESCRIPTION:

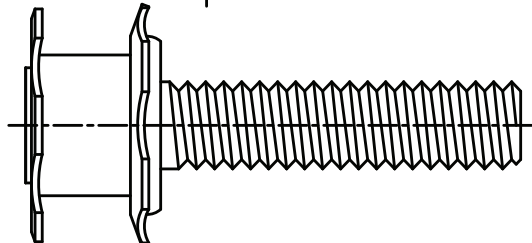
The D-Stud is a Dyn-O-Loc with the threaded stud pre-attached.

- Properly installed D-Studs are pull tested to over 1300 lbs.
- Anchors conduit in place during installation.
- Works with both insulated and non-insulated duct work.
- Allows for the installer to easily locate the pre-drilled hole



See all of our insertion tool options!

Item #	Code	Description
13021	DS12K-250	1/2" Dyn-O-Loc D-Stud™ Kit - 250/box
13023	DS34K-250	3/4" Dyn-O-Loc D-Stud™ Kit - 250/box
13025	DS12-250	1/2" Dyn-O-Loc D-Stud™ Only - 250/box
13027	DS34-250	3/4" Dyn-O-Loc D-Stud™ Only - 250/box
13029	DSGW-250	Dyn-O-Loc D-Stud™ Gasket Washer - 250/box
13031	DSFN-250	Dyn-O-Loc D-Stud™ Flange Nut - 250/box



Duro Dyne Corporate Headquarters, Bay Shore, NY
 631-249-9000 • Fax: 631-249-8346

Duro Dyne Midwest • Duro Dyne West • Duro Dyne Canada
 www.durodyne.com • E-mail: durodyne@durodyne.com



©2018 Duro Dyne Corporation
 Printed in USA 6/19/18
 B0050039