

MODEL PLS AUTOMATIC LINER SIZER

ITEM #39075 & 39251

PLS AUTOMATIC LINER SIZER

Since introducing the Model LS manually operated insulation cutter, Duro Dyne recognized a growing demand for a motor driven automatic insulation cutting machine which would stand up to heavy shop usage without sacrificing quality or accuracy. The Model PLS is the result of an intensive development program to provide an automatic insulation cutter which would meet the high standards required by Duro Dyne as well as the speed and efficiency required by contractors.

VERSATILITY

The PLS comes standard with one crosscut blade for cutting insulation to length and one slitting assembly for cutting various widths. Additional slitters (up to four) may be ordered at an additional charge.

Insulation from 1/2" to 2" thick is easily accommodated.

ACCURACY

The PLS is built to maintain a tolerance of + or - 1/4" of length desired as well as slitting accurately to desired widths.

EASE OF ADJUSTMENT

The settings for both width and length are made easily and quickly by the mechanic. All machine functions are controlled by 3 push buttons and one toggle switch. Material handling is minimized.

HIGH PRODUCTION

PLS will slit material at the rate of 40 linear feet per minute. Where material is to be cut to length as well, a full roll of insulation can be sized in less than 5 minutes.

RELIABILITY

Duro Dyne's experience with manual insulation cutters provides the technical know-how for producing a powered machine which will perform to the high standards required. Many PLS insulation cutters are already providing contractors with efficient trouble free production in shops throughout the country.

SAFETY

The PLS is designed with operator safety in mind. Guards and interlock switches minimize the possibility of accidents caused through operator error.

SERVICE

Duro Dyne, through its regional offices, sales engineers and select distributor organizations, assures you of assistance when required. Our service department technicians are available to help you keep your machine operating in top condition at all times.

**Fast, accurate automatic
duct liner cutter.**



**ITEM #39075
(Left to right flow)
ITEM #39251
(Right to left flow)**

MACHINERY DIVISION
© 2006 Duro Dyne Corporation
Printed in USA 03/2006
BC039402

**DURO
DYNE**®

FEATURES

- Durable 6" rotary blades for cross cut and slitter.
- An Insulation cradle designed to keep liner square.
- Micro switch interlocks on all guards for safety.
- Reliable pneumatic controls for pinch roller and cross cut.
- Proven 24-volt components for all control circuits.

SPECIFICATIONS

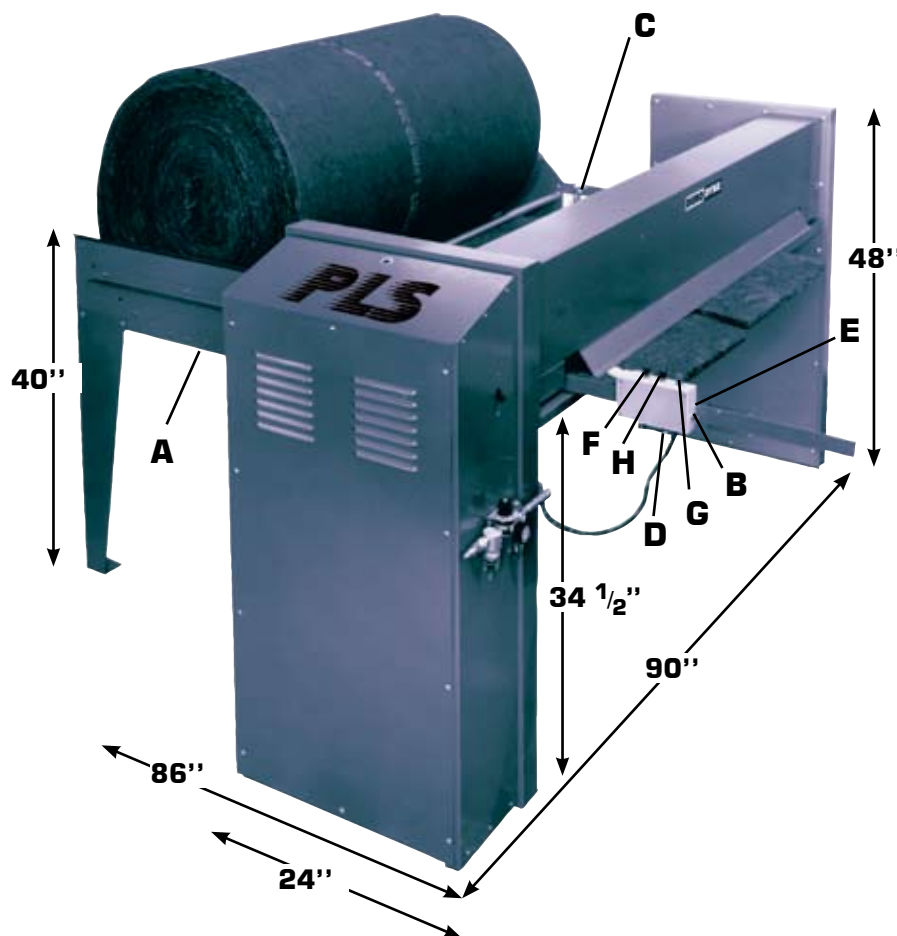
- Cradle accommodates liner roll up to 60" width, 40" diameter
- Oil bath reducer with 25 to 1 ratio
- 1/3 horsepower motor
- 66" long; 1-1/2" diameter automatic tensioning cable cylinder for cross cut blade.
- 1 crosscut assembly, 1 slitter assembly
- Electrical requirements: 110 volt, 15 AMP
- Air requirements: 80 P.S.I.

OPERATION

Place a roll of liner material on the cradle (A) and feed the leading edge of the liner between the pinch roller and the feed roller. To cut multiple pieces of the same dimensions set mode selector switch (B) to "automatic". Set the PLS for the desired length and width dimensions. To set the width, loosen knob on the slitter assembly (C) and the slide slitter assembly to proper position, retighten the knob. (A metal scale has been installed to ease the width selection.) To set the length, loosen the knob (D) and slide the control unit (E) along the guide to the desired length, retighten the knob (D). The guide has been equipped with a well calibrated metal scale. Press the run button (F). The insulation will advance through the rotary knife slitter until it reaches the pre-set length. The liner is then automatically stopped and crosscut to length.

As the cut liner is removed from the machine, it automatically restarts. The next piece is slit as it advances through the machine toward the length sensor where it will stop and be cut to length. Removal of the liner starts the next cycle. The machine continues in this mode of operation until the "Stop" button (G) is pressed.

For individual pieces of varying lengths, set the mode selector switch (B) to "Manual". Position the slitter to the desired width and set the length. Press the "Run" button (F) and the material will feed through the slitter into the length sensor and stop. Press the "Cut" button (H) and the material is cut to length and can be removed.



Duro Dyne East Division, Bay Shore, NY
Duro Dyne Midwest Division, Fairfield, OH
Duro Dyne West Division, Santa Fe Springs, CA
Duro Dyne Canada, Lachine, Quebec, Canada

631-249-9000 Fax: 631-249-8346
513-870-6000 Fax: 513-870-6005
562-926-1774 Fax: 562-926-5778
514-422-9760 Fax: 514-636-0328

www.durodyne.com E-mail: durodyne@durodyne.com