

**SUBMITTAL RECORD**

JOB \_\_\_\_\_  
LOCATION \_\_\_\_\_  
SUBMITTED TO \_\_\_\_\_  
SUBMITTAL PREPARED BY \_\_\_\_\_  
APPROVED BY \_\_\_\_\_  
DATE \_\_\_\_\_



**Submittal Form**  
**FDD-MB-3V**  
**Dynamic Fire Damper**  
U.L. 555S Classified /  
1-1/2 Hours & 3 Hours



**Notes:** Dampers are furnished approximately 1/4" smaller than given dimensions. Not recommend with blades running vertically.

**Standard Construction:**

**Frame:** Roll-formed galvanized steel hat-section with staked corners and integral bracing

**Blades:** 16ga (3V) Roll-formed galvanized steel

**Minimum width:** 4.250"

**Maximum width:** 7.250"

**Bearings:** Bronze Oilite, press-fit into frame

**Axles:** Square, plated steel

**Linkage:** Concealed in frame. Linkage bars are .125" thick plated steel

**Heat Responsive Devices:** Fusible links - 165°F and 212°F  
Snap discs - 212°F and 350°F

**Finish:** Mill galvanized

**Spring:** Stainless steel

**Sizes:** Minimum size: 6" W x 6" H

Maximum UL Listed size:

Single section: 36" W x 48" H

Multiple assembly:

1 1/2 Hour Vertical: 108" W x 96" H

1 1/2 Hour Horizontal: 72" W x 96" H

**Options:**

- Factory Supplied Sleeve 18-16-14-10 Gauge Sleeve Length (Required) 16" Minimum
- 3 Hour Rating
- Manual Locking Quadrant
- Round Transitions (FDD-MB-3V-RD\*<sup>1</sup>)
- Fusible Link 165°F
- Fusible Link 212°F

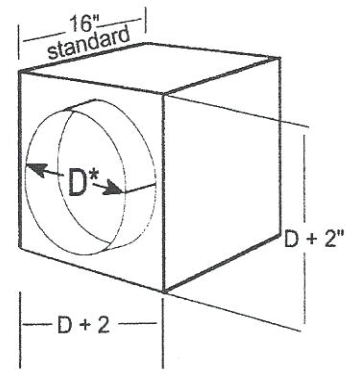
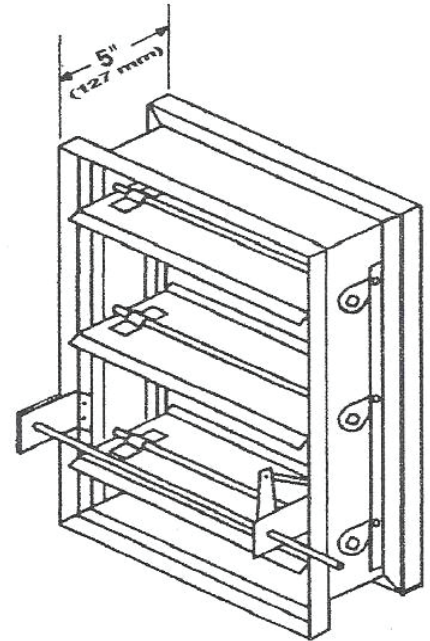
Accepted for use  
City of New York  
Department of Buildings  
MEA#: 302-00-M  
  
Approved by the Board of  
Standards and Appeals for use  
in New York City  
Cal. 291-80-SA

**Features:**

- The FDD-MB-3V series Fire Dampers have been designed and tested to exceed all U.L., U.L.C. and N.F.P.A. requirements for fire dampers.
- The FDD-MB-3V damper's rigid frame and integrally braced corners provide true damper alignment that generally resists being installed out of square or out of flat. This insures on site performance equal to test results.

**Note:**

When damper is to be used as a fire damper, that is without motor operator, then the actuator shaft must be fitted with a locking device (e.g. a locking quadrant) to prevent the damper from inadvertently closing.



\*D = Duct Size Minus 1/4"  
\*<sup>1</sup> = 16" - 20 ga. Sleeve required for FDD-MB-3V-RD

**SUGGESTED SPECIFICATIONS**

Dynamic Fire Damper shall be Duro Dyne FDD-MB-3V type dampers. Fire Dampers shall be spring loaded for positive closure against airflow and shall bear the Underwriters Laboratories Label.

Duro Dyne National Corporate Headquarters, Bay Shore, NY  
631-249-9000 • Fax: 631-249-8346  
Duro Dyne Midwest • Duro Dyne West • Duro Dyne Canada  
www.durodyne.com • E-mail: durodyne@durodyne.com

