

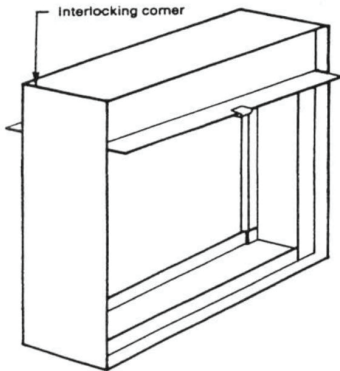
**SUBMITTAL RECORD**

JOB \_\_\_\_\_  
 LOCATION \_\_\_\_\_  
 SUBMITTED TO \_\_\_\_\_  
 SUBMITTAL PREPARED BY \_\_\_\_\_  
 APPROVED BY \_\_\_\_\_  
 DATE \_\_\_\_\_



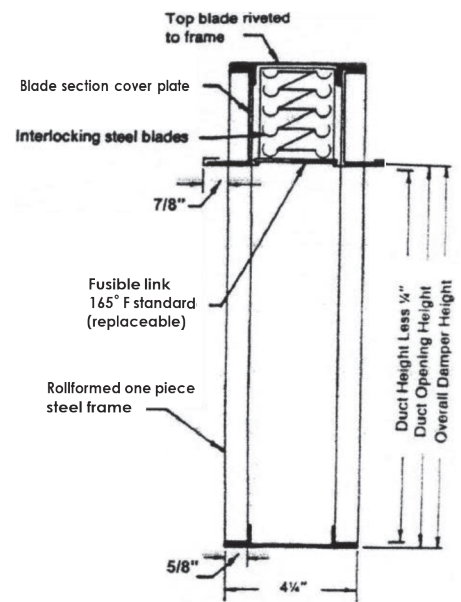
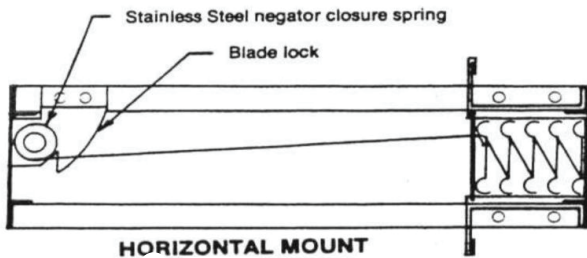
**Submittal Form**  
**UL10B-DY Dynamic**  
**1-1/2 Hour Fire-Limit**  
**UL Fire Damper**  
**Vertical or Horizontal**

UNDERWRITERS' LABORATORIES INC.  
 CLASSIFIED  
 FIRE RESISTANCE RATING 1-1/2 HOUR  
 No. \_\_\_\_\_  
 See U.L. Classified Building Materials Index



Approved by the Board of  
 Standards and Appeals for use  
 in New York City  
 Cal. 291-80-SA

Accepted for use  
 City of New York  
 Department of Buildings  
 MEA#: 302-00-M



- Fusible Link Options: 165° and 212°
- Standard construction materials: Galvanized Steel
- Specification for all material per Underwriters' Laboratories Standard for Safety UL555.
- Underwriters' Laboratories: Labeled for use in sizes no larger than shown in U.L. Building Material List.
- Meets National Fire Protection Assoc. - NFPA 90A
- Dynamic Fire Dampers: Bi-Directional 2400 FPM Maximum velocity / 4.0 WG Maximum Static Pressure
- Feature vertical closure spring operation under airflow in HVAC systems where fans remain running in fire and smoke control.
- Dynamic Fire Dampers bear a label attesting to airflow and maximum static pressure limits.
- Damper shall be labelled for proper vertical/horizontal installation.

Damper Mounting Position	Minimum Duct Size (in.)		Single Section Damper Size Maximum (in.)	
	Width	Height	Width	Height
Vertical	4	3	24	24
Horizontal	4	3	24	24

**SUGGESTED SPECIFICATIONS**

Fire Dampers shall be Duro Dyne UL10B-DY Dynamic type dampers. Installation shall be as described in the Duro Dyne Fire Damper instructions. Sizes and locations shall be as indicated on the mechanical drawings.

Duro Dyne National Corporate Headquarters, Bay Shore, NY  
 631-249-9000 • Fax: 631-249-8346  
 Duro Dyne Midwest • Duro Dyne West • Duro Dyne Canada  
 www.durodyne.com • E-mail: durodyne@durodyne.com



7/2/2024  
 BO040023