

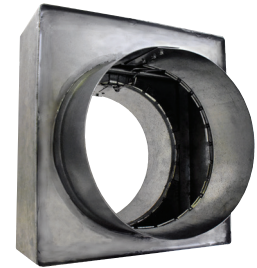
SUBMITTAL RECORD

JOB _____
LOCATION _____
SUBMITTED TO _____
SUBMITTAL PREPARED BY _____
APPROVED BY _____
DATE _____

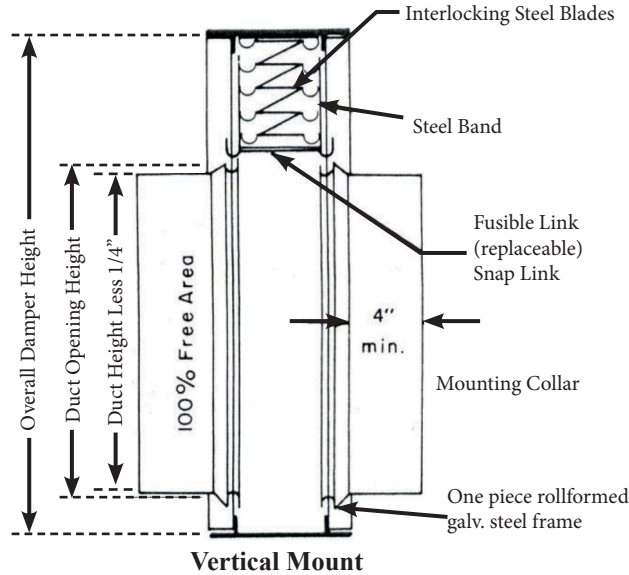
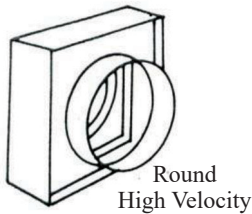


Submittal Form
UL10C Static
3 Hour Fire-Limit
UL Fire Damper
Vertical or Horizontal

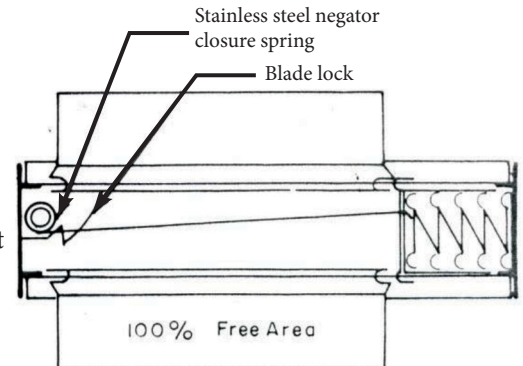
UNDERWRITERS' LABORATORIES INC.
CLASSIFIED
FIRE RESISTANCE RATING 3 HOUR
No. _____
See U.L. Classified Building Materials Index



Approved by the Board of
Standards and Appeals for use
in New York City
Cal. 291-80-SA



Vertical Mount



Horizontal Mount

- Fusible Link Options: 165° and 212°
- Construction: In accordance with SMACNA High Velocity Duct Construction Standards
- Standard construction materials: Galvanized Steel
- See sizing chart for relationship of duct size and damper size
- See attached chart for schedule of quantity and sizes
- Specification for all material per Underwriters' Laboratories Standard for Safety UL555.
- Underwriters' Laboratories: Labeled for use in sizes no larger than shown in U.L. Building Material List in a 2 hour fire partition.
- Meets National Fire Protection Assoc. - NFPA 90A
- Maximum Collar Size: Round - 52"
Oval/Rectangular- 58" w x 52" h
- Minimum Collar Size: Round - 3"
Rectangular: 5" w x 5" h

SUGGESTED SPECIFICATIONS

Fire Dampers shall be Duro Dyne UL10C Static 3 Hour type dampers. Installation shall be as described in the Duro Dyne Fire Damper instructions. Sizes and locations shall be as indicated on the mechanical drawings.

Duro Dyne National Corporate Headquarters, Bay Shore, NY
631-249-9000 • Fax: 631-249-8346
Duro Dyne Midwest • Duro Dyne West • Duro Dyne Canada
www.durodyne.com • E-mail: durodyne@durodyne.com



7/2/2024
BO040025